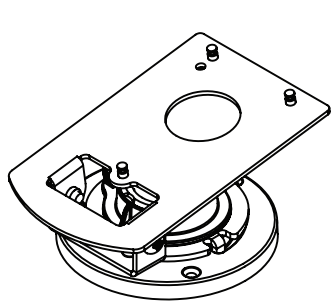


Included:



1x
SWIVEL BASE
STAND (STYLE
MAY VARY)

1x
#8 THUMB SCREW

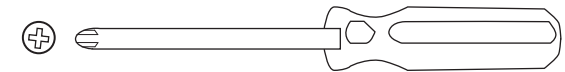
3x
#10 X 1.00 LONG
FLAT HEAD PHILLIPS
WOOD SCREW

1x
CABLE CLIP
(SOME MODELS
ONLY)

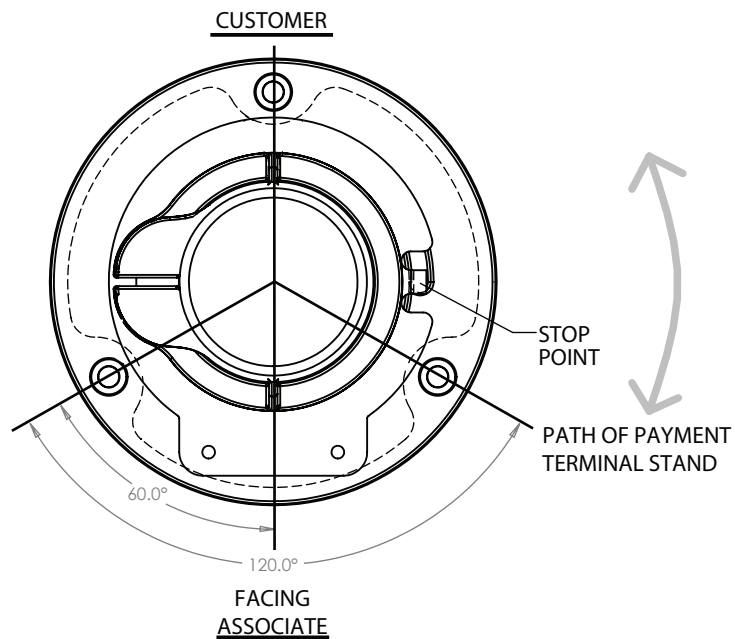
1x
#8-32 X .25 LONG
PHILLIPS SCREW
(SOME MODELS
ONLY)

Tools Needed:

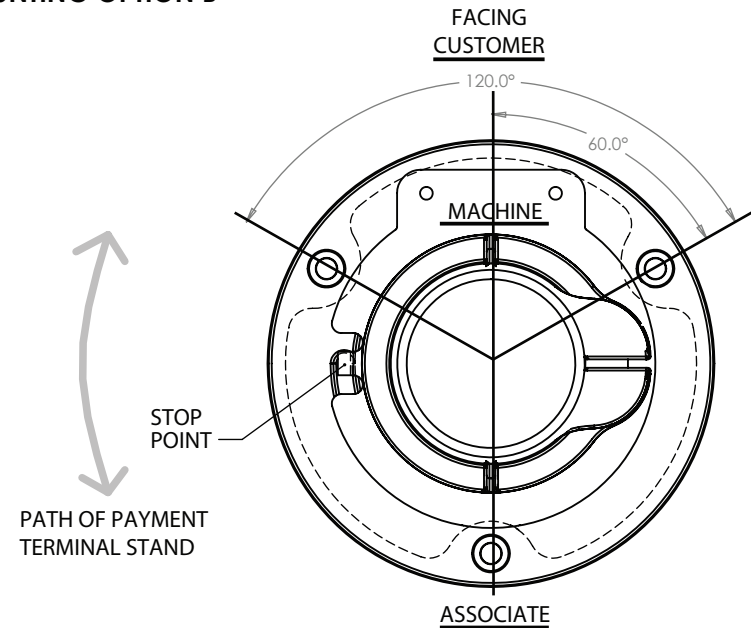
- #2 PHILLIPS SCREW
OR DRILL DRIVER



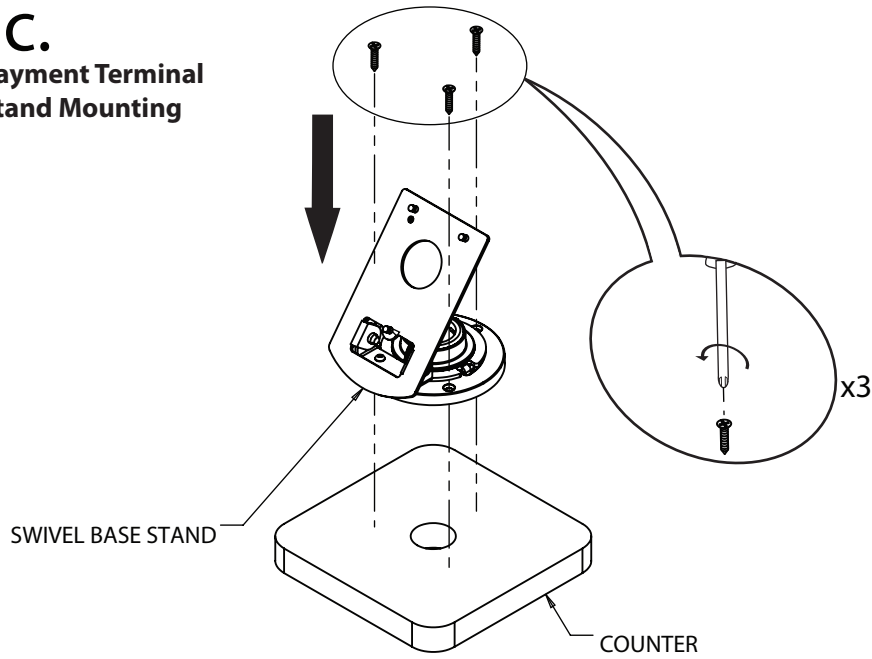
1a.
MOUNTING OPTION A



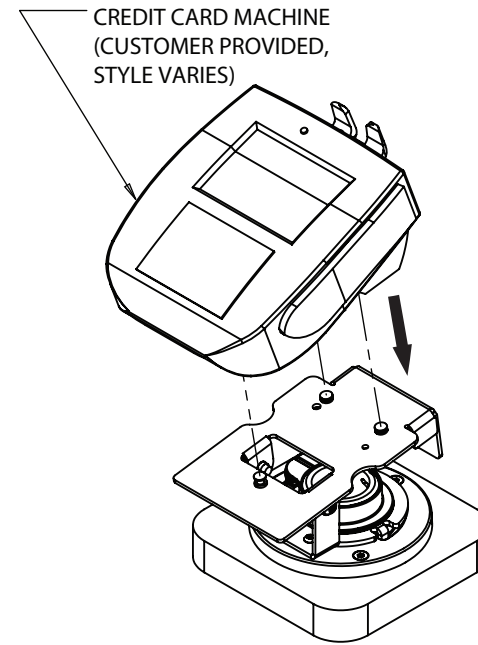
1b.
MOUNTING OPTION B



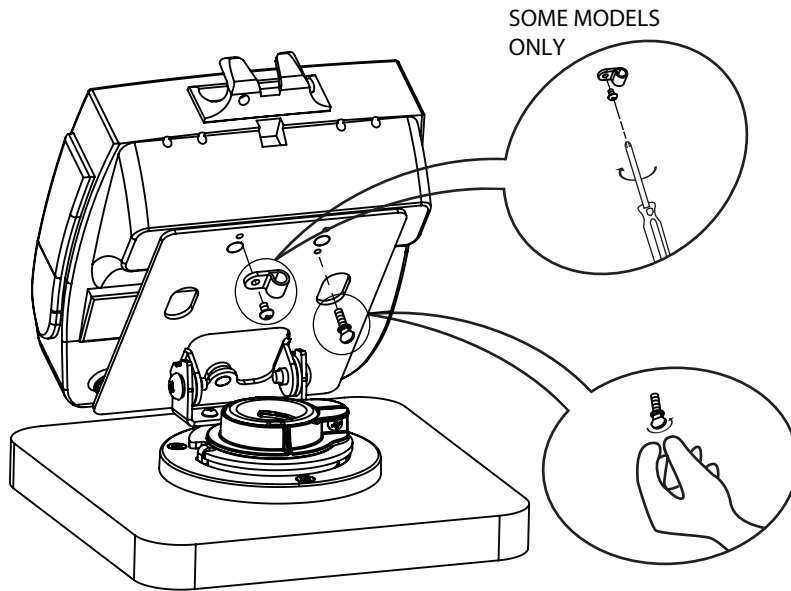
1c. Payment Terminal Stand Mounting



2c.



3c.



4c.

